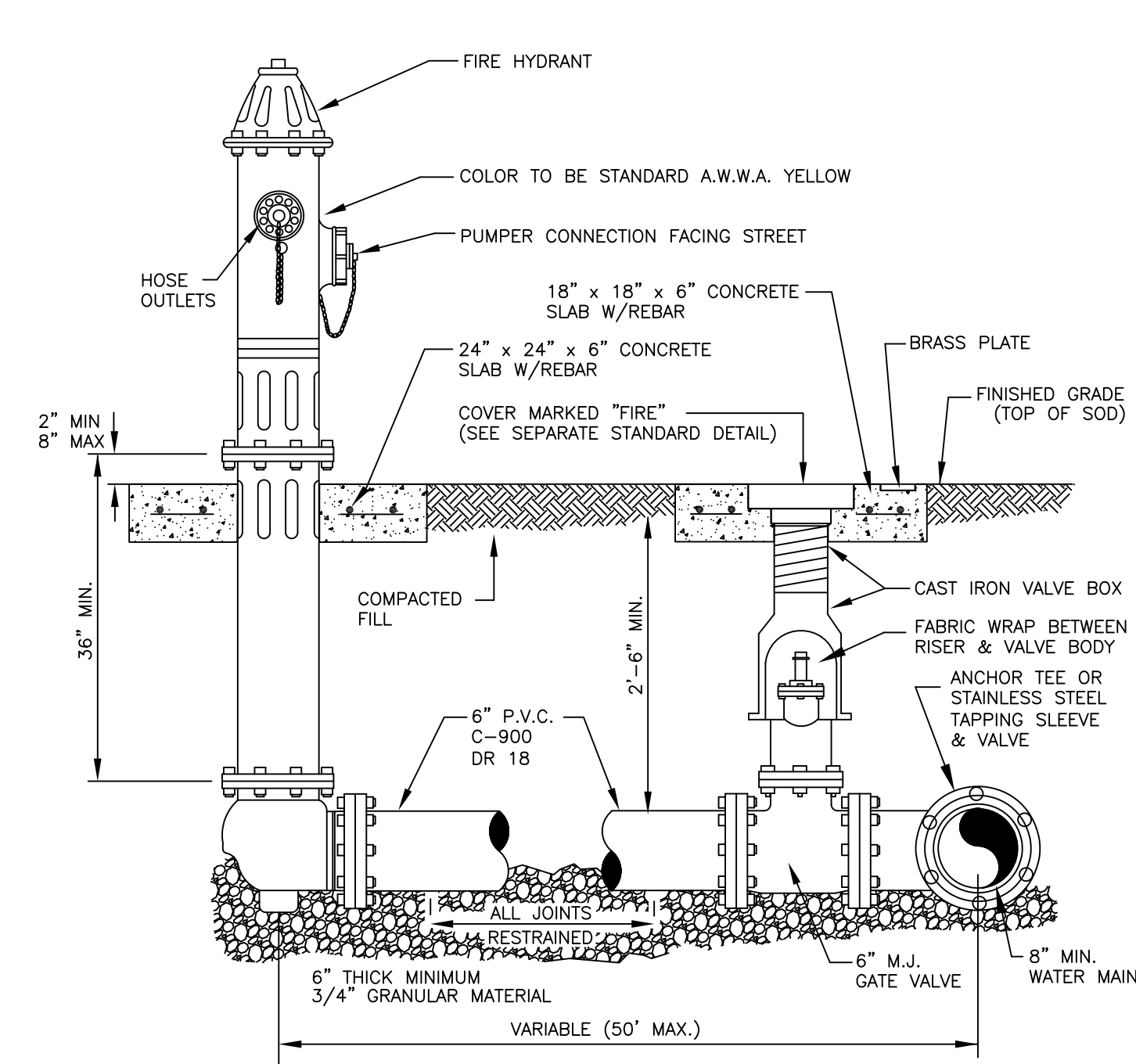
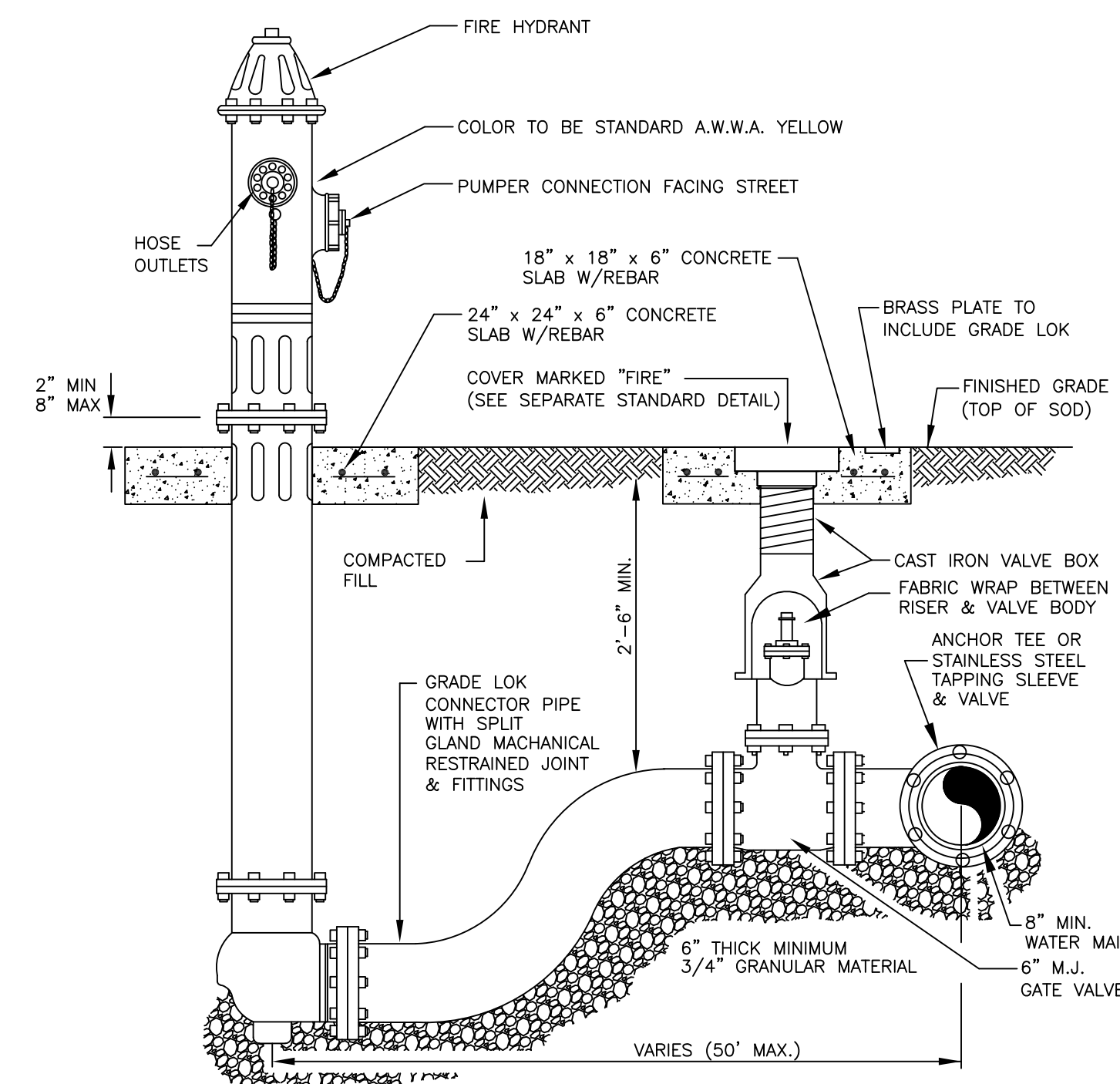


- NOTES:**
1. CONNECTION TO BE WITNESSED BY BONITA SPRINGS UTILITIES
  2. SYSTEM JUMPER ASSEMBLY MUST BE INSTALLED WITHIN 48 HOURS AFTER FULL BORE FLUSH

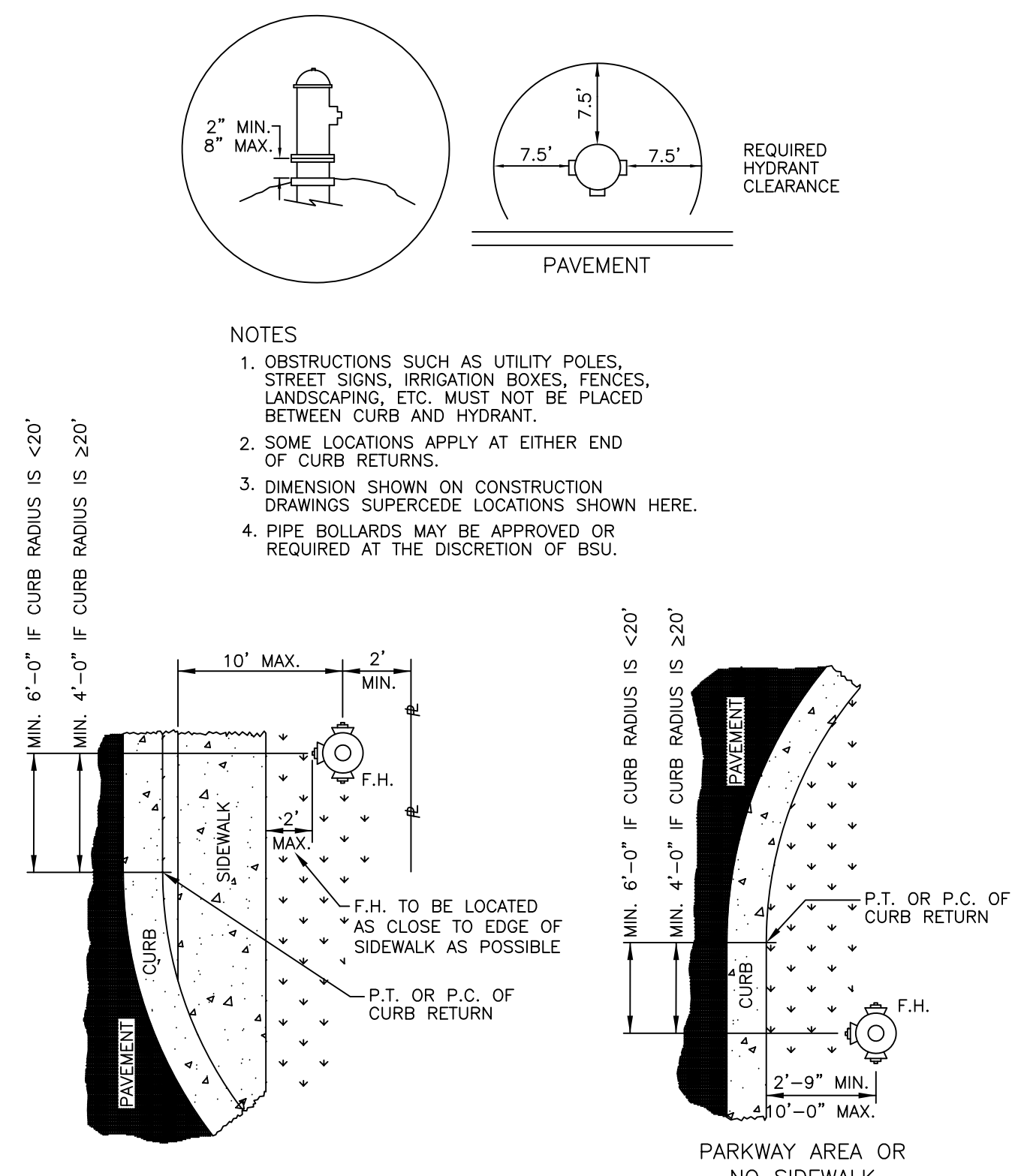
**CONSTRUCTION JUMPER ASSEMBLY**  
W-1



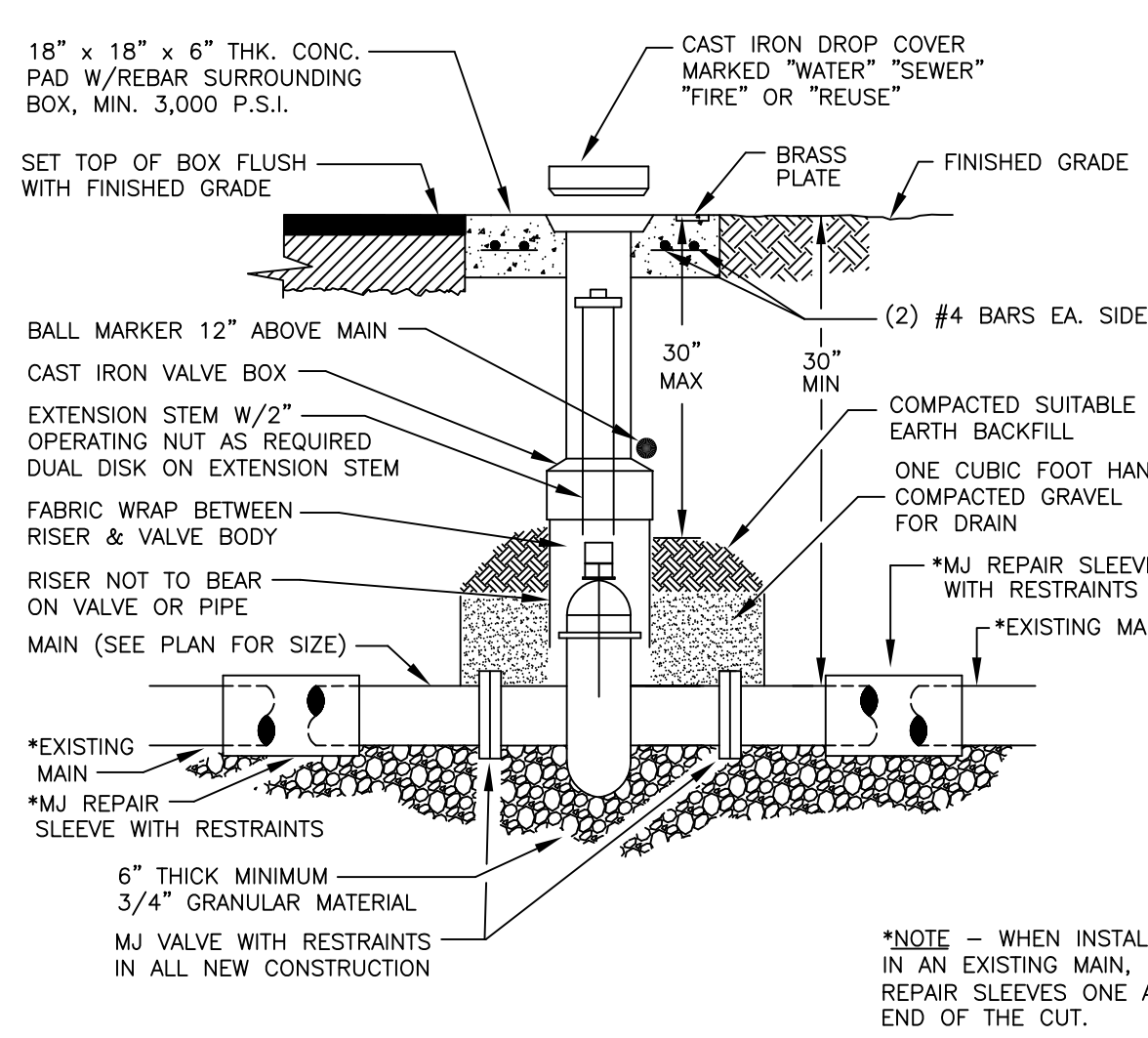
**FIRE HYDRANT ASSEMBLY**  
W-2



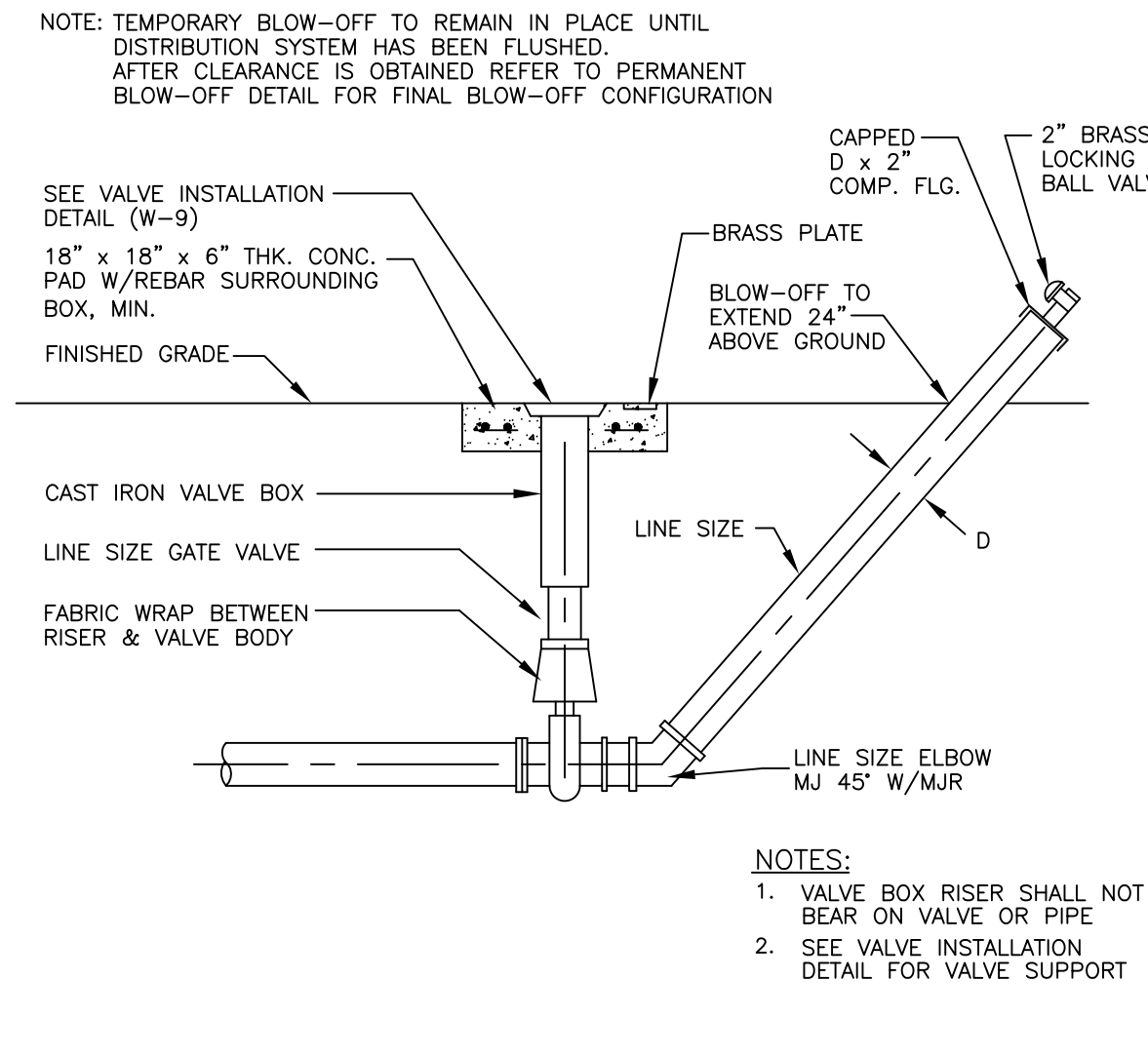
**FIRE HYDRANT ASSEMBLY WITH GRADE-LOK ADAPTOR**  
W-3



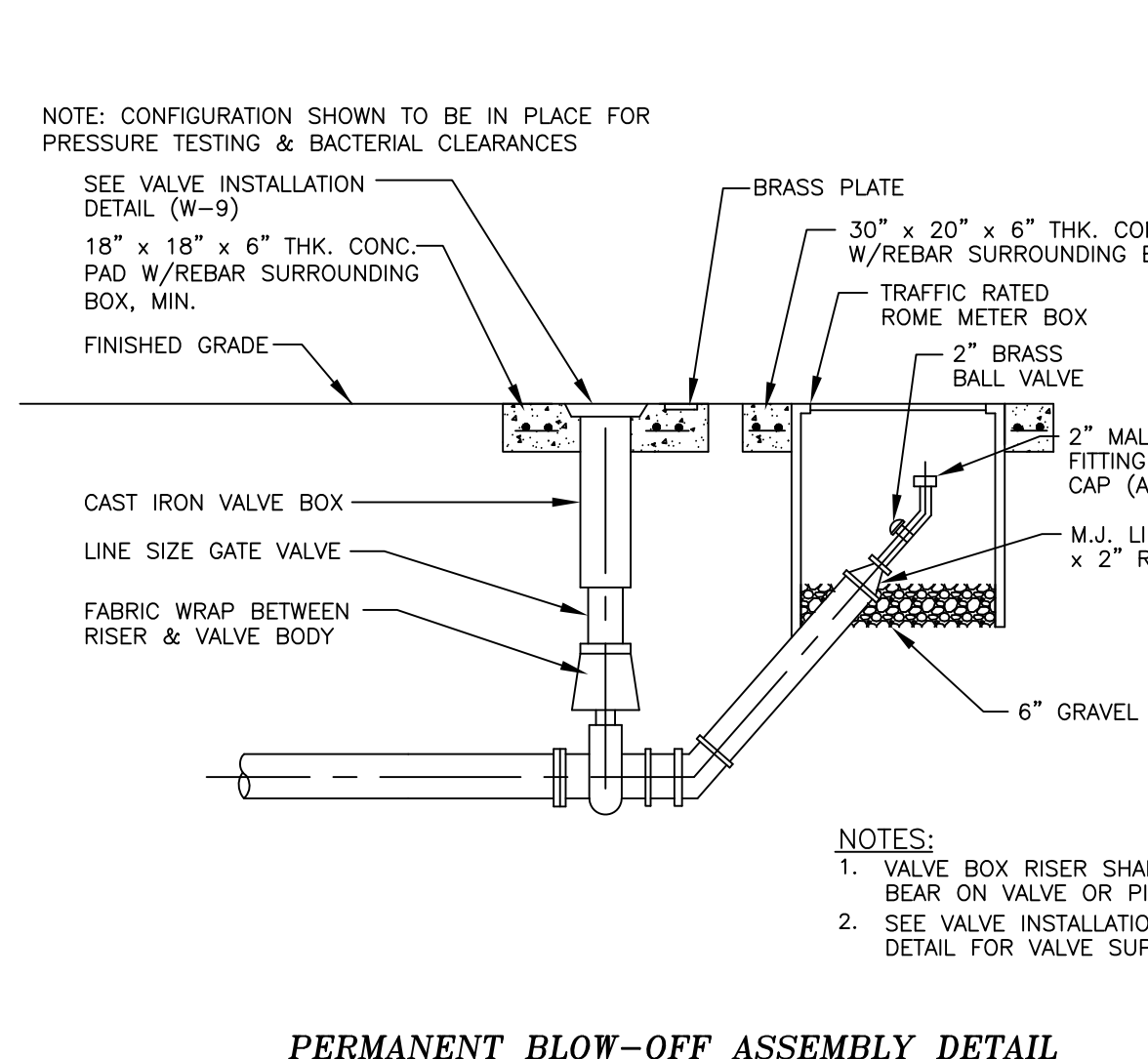
**FIRE HYDRANT LOCATIONS/CLEARANCE**  
W-4



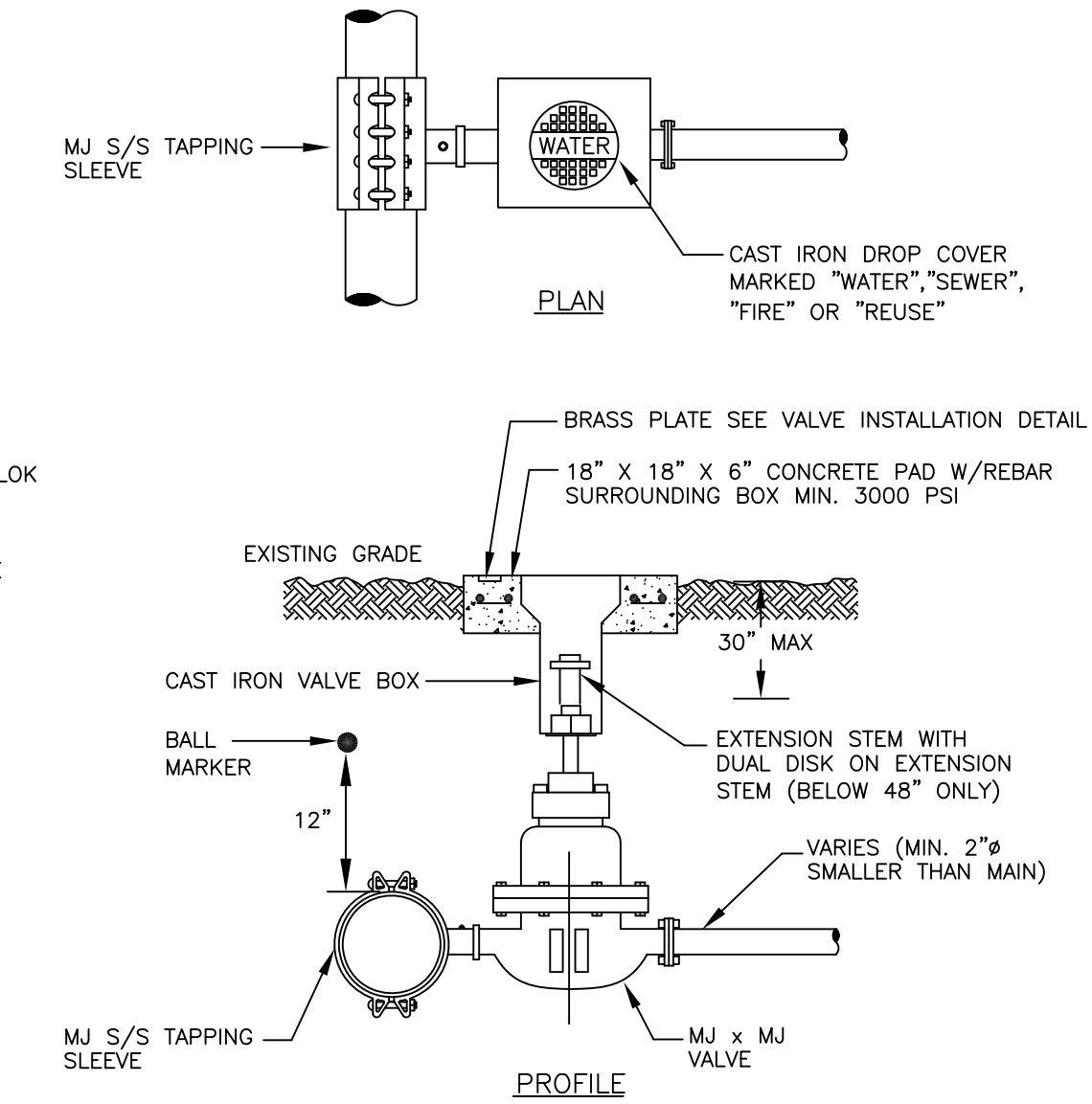
**VALVE INSTALLATION**  
W-9



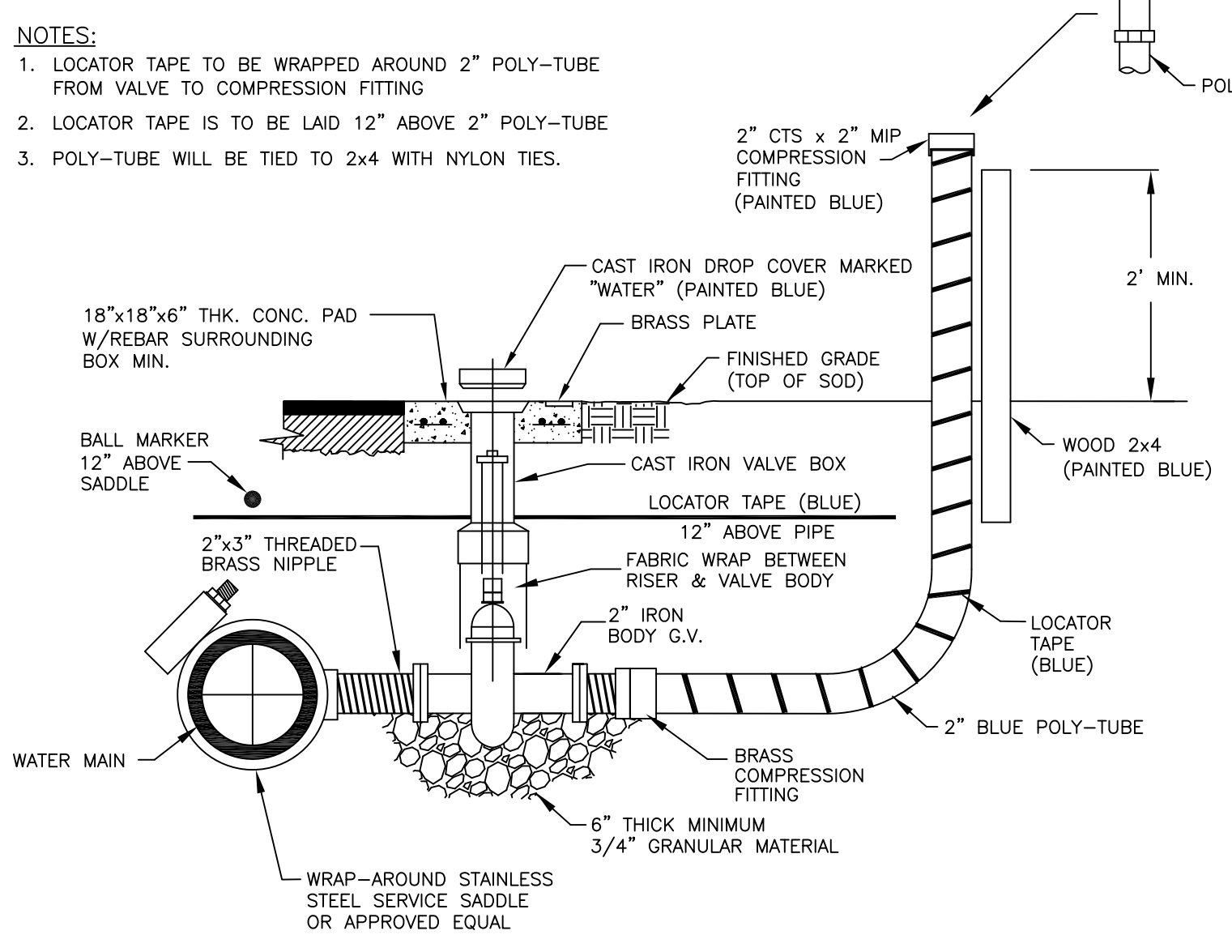
**TEMPORARY BLOW-OFF ASSEMBLY DETAIL**  
W-6



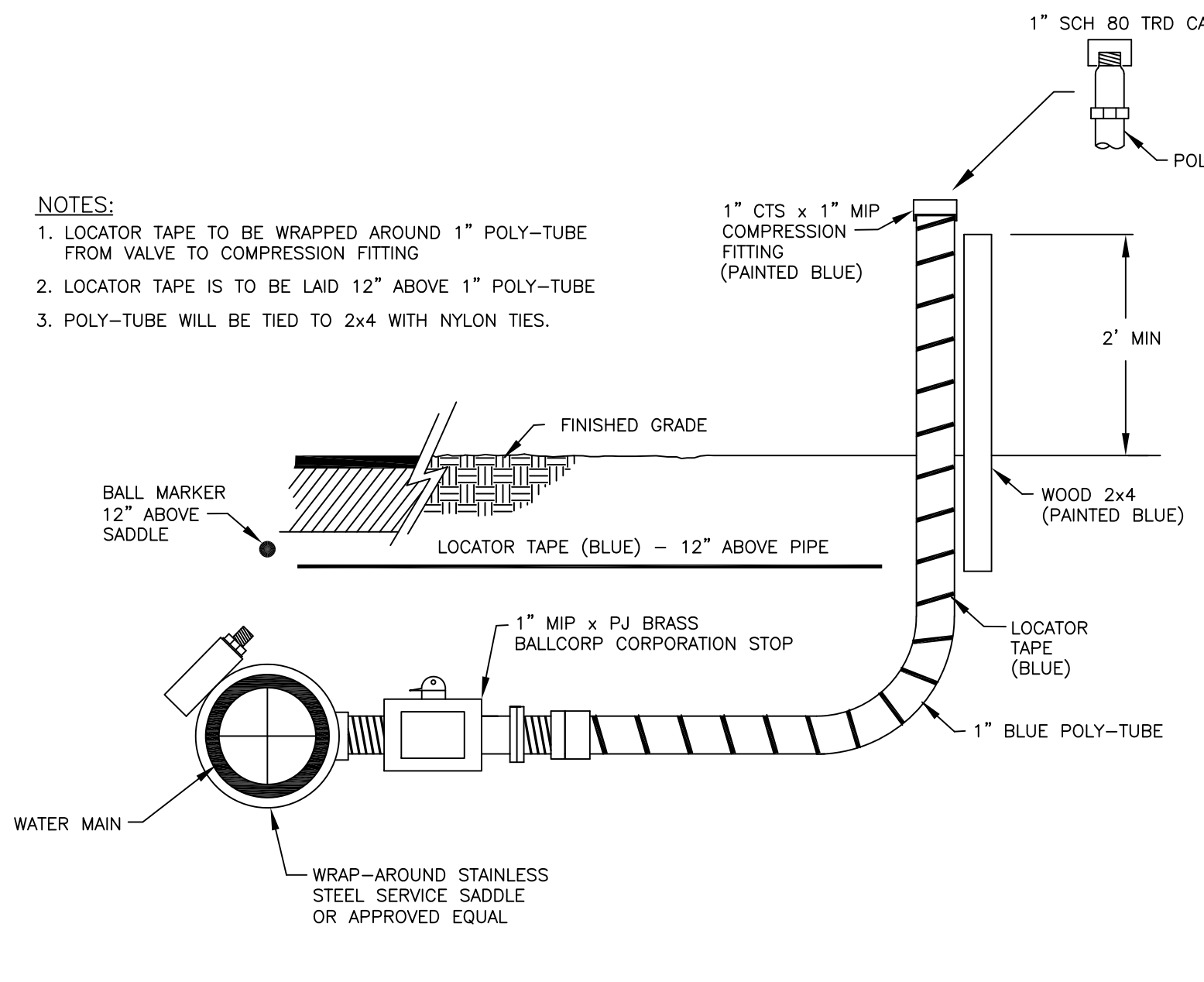
**PERMANENT BLOW-OFF ASSEMBLY DETAIL**  
W-5



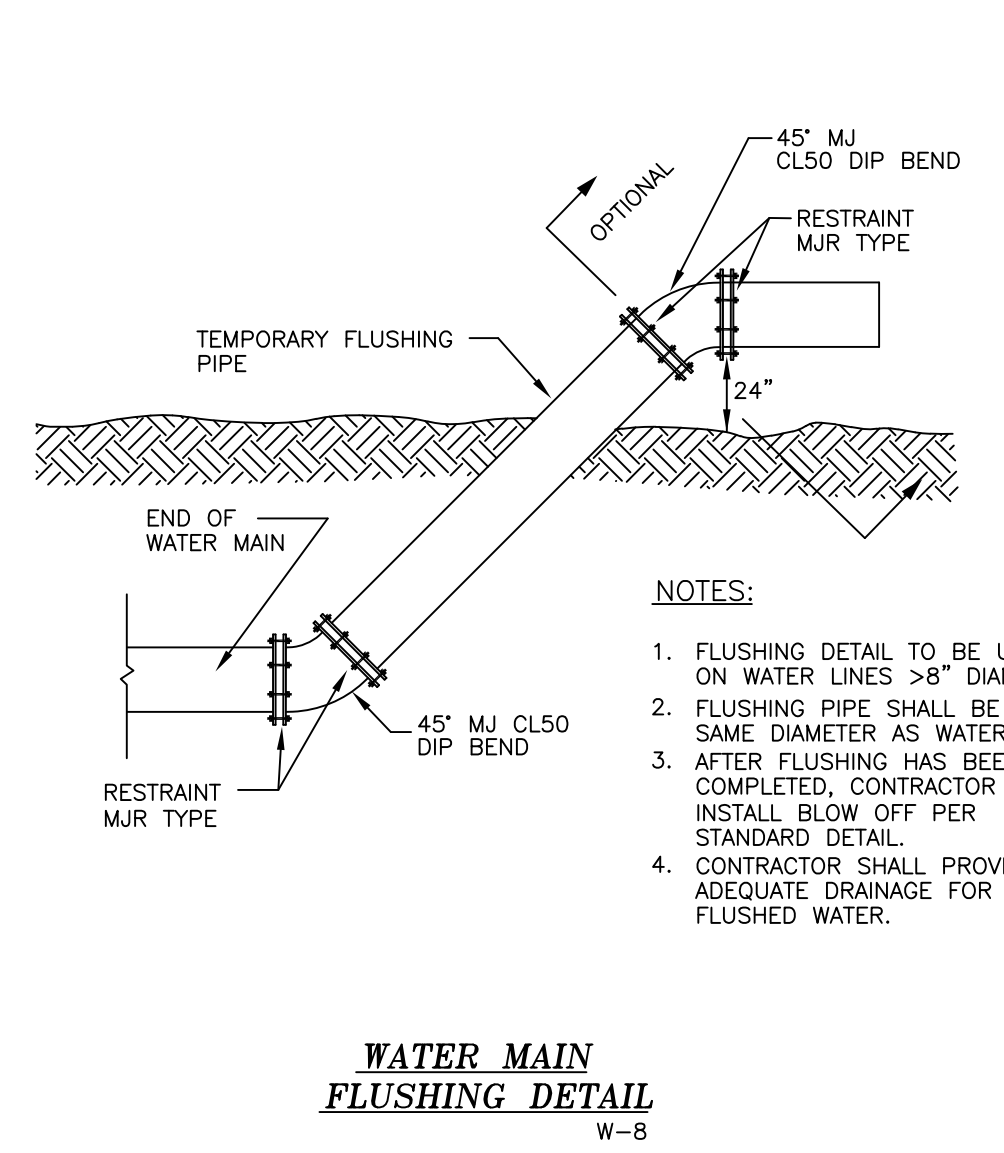
**TAPPING SLEEVE AND VALVE**  
W-11



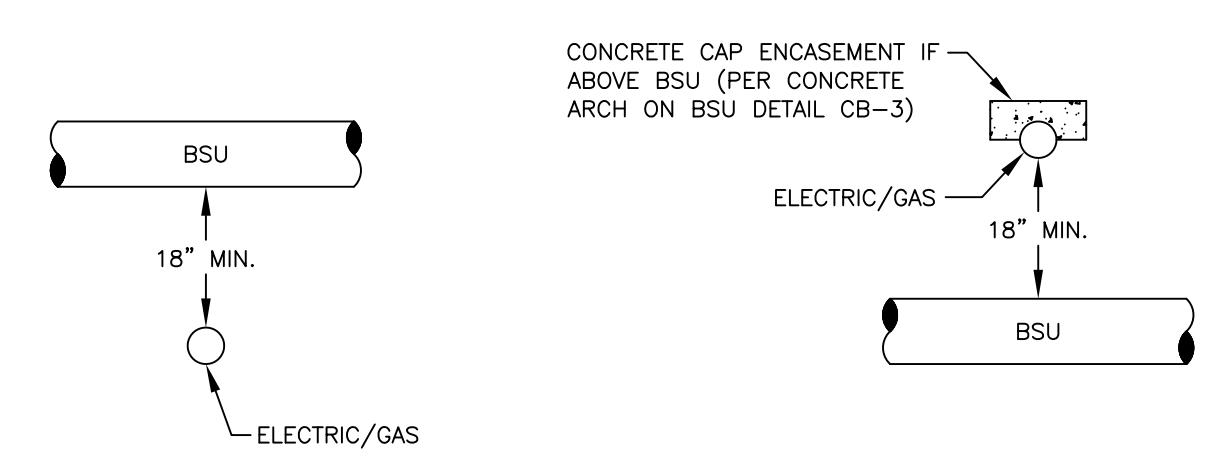
**2" POTABLE WATER SERVICE**  
W-12



**1" POTABLE WATER SERVICE**  
W-13



**WATER MAIN FLUSHING DETAIL**  
W-8



**ELECTRICAL / GAS CLEARANCE**  
W-15

CONSULTANT'S COMMENTS:

B.S.U. DETAIL SHEETS MUST REMAIN AS IS (NO ALTERATIONS) IF ADDITIONAL DETAILS ARE REQUIRED SUBMIT ON SEPARATE SHEET

CLIENT: PROJECT:

TITLE: **WATER DETAILS** SCALE: NOT TO SCALE

11900 E. TERRY STREET DATE: APRIL 2019  
BONITA SPRINGS, FLORIDA 34135  
PHONE: (239) 992-0711 FAX: (239) 992-9223 DWG #: WDET.DWG

DETAIL W-7 DELETED  
DETAIL W-10 DELETED  
DETAIL W-14 DELETED

**Bonita Springs Utilities, Inc**

SHEET OF