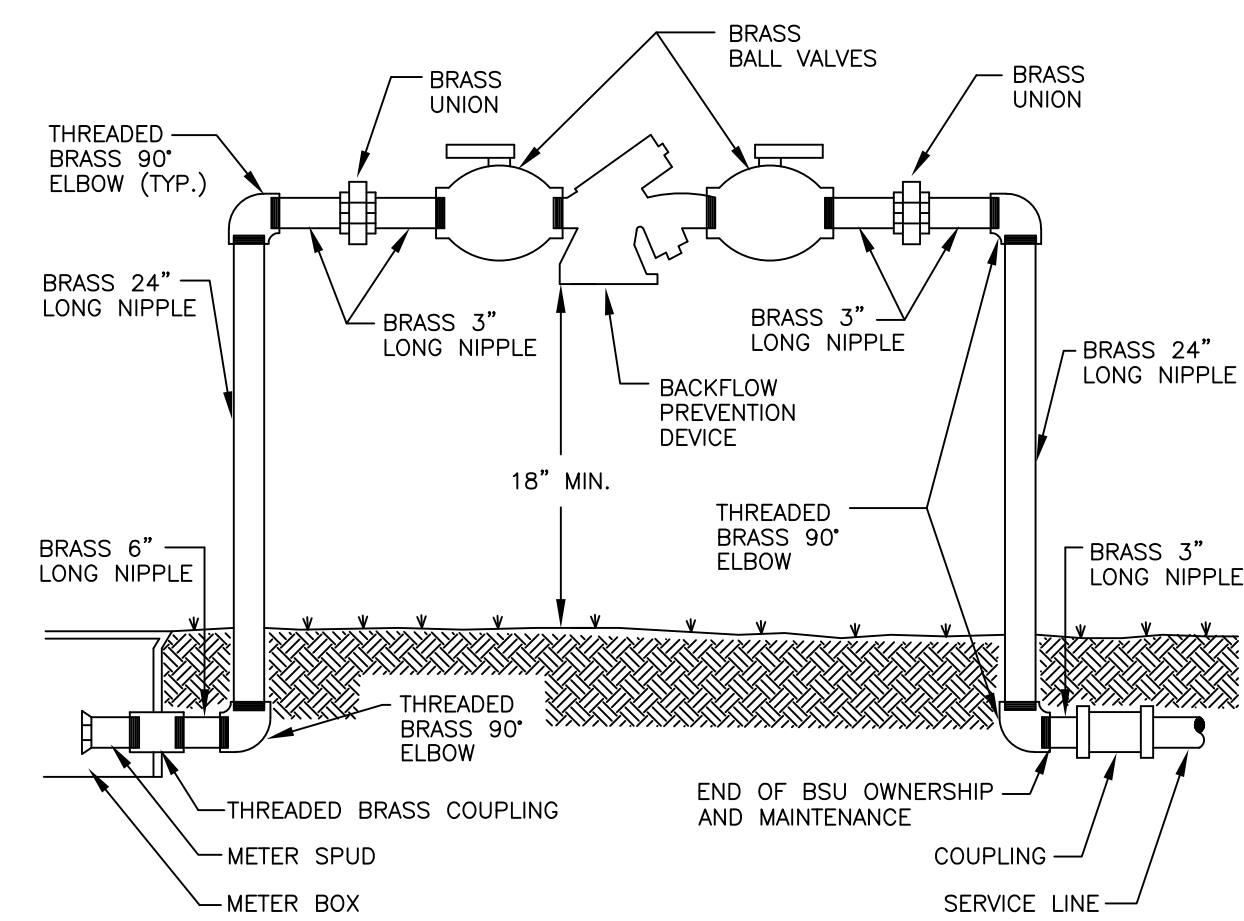


NOTES:

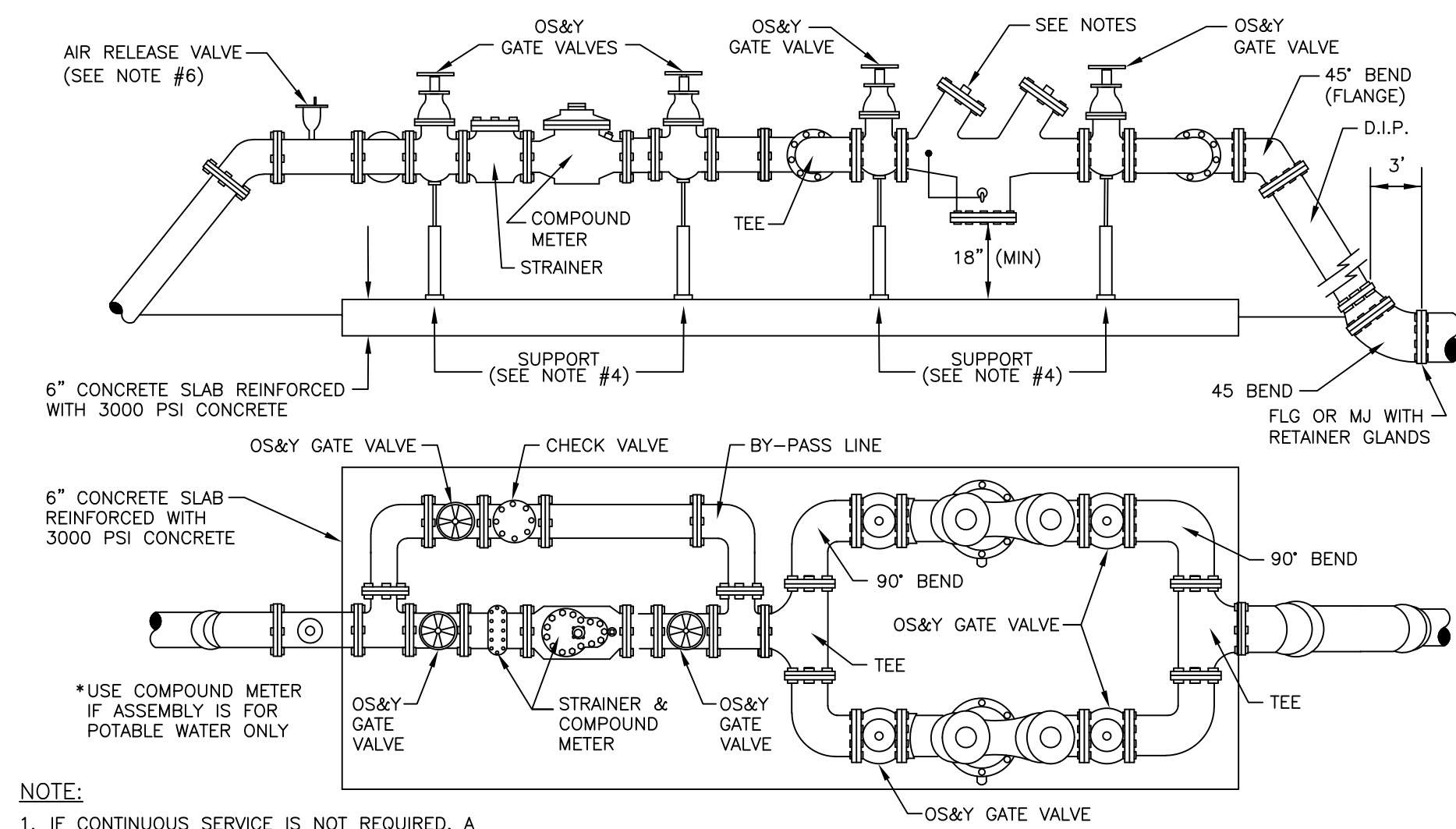
1. METER SIZE DETERMINES CONFIGURATION SIZE BETWEEN TEE "A" & "B".
2. ENTIRE APPARATUS TO BE PAINTED WITH UV RATED PAINT (EXCEPT METER).
3. CONSULT BSU "BACKFLOW PREVENTION CROSS CONNECTION CONTROL PROGRAM" FOR APPROVED SIZES, MODEL NUMBERS & MANUFACTURERS.
4. "N" STYLE BACKFLOWS REQUIRE A LOCATION FOR AN AIR RELEASE VALVE.

STANDARD METER/BACKFLOW ASSEMBLY DETAIL
(3" OR LARGER)
BF-1



NOTE:
DEVICE DEPENDENT
ON DEGREE OF HAZARD.

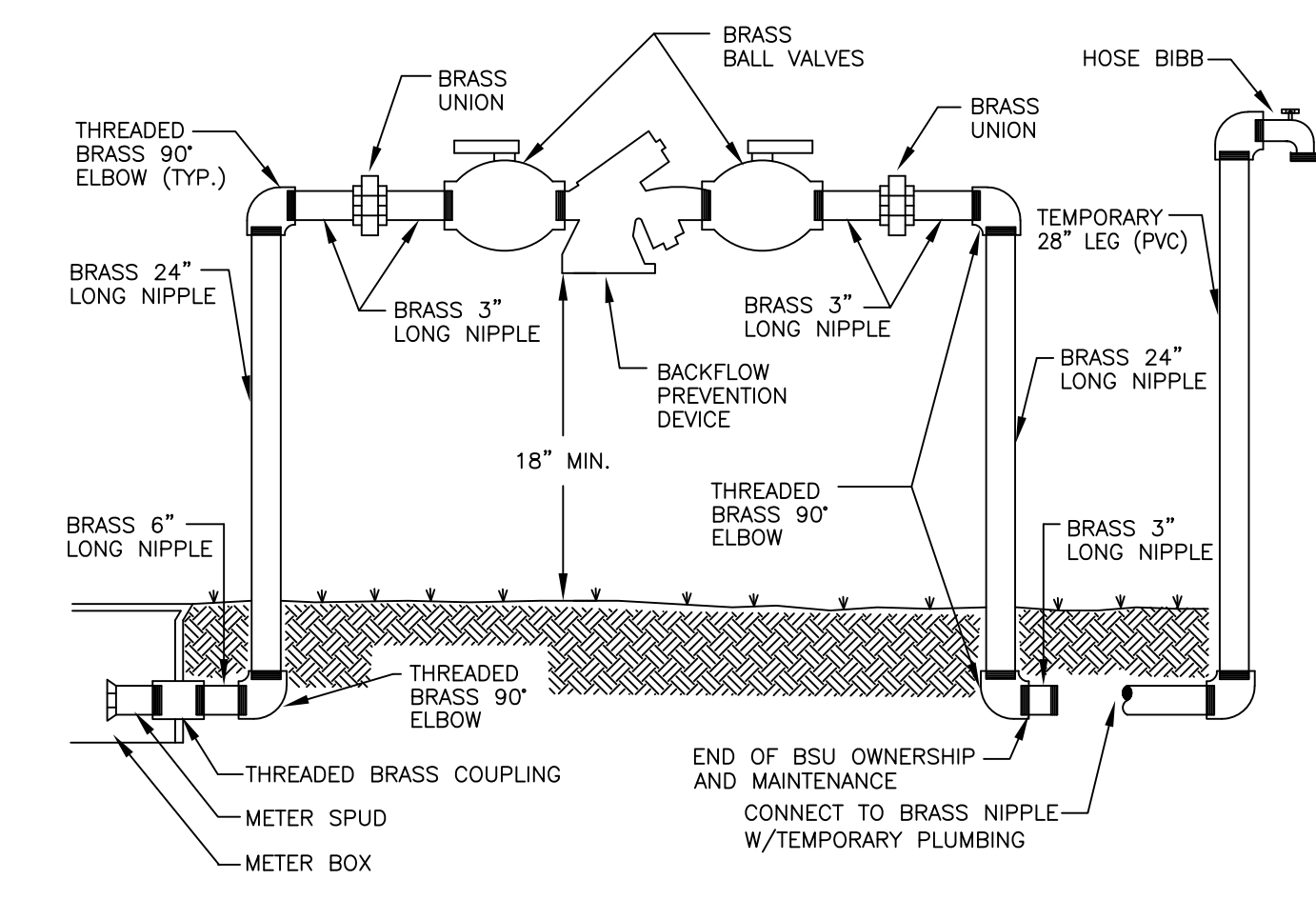
BACKFLOW PREVENTION DEVICE 3/4", 1", 2"
(NEW INSTALLATIONS BY BSU,
EXCEPT FOR BACKFLOWS ON FIRE LINES)
BF-3



NOTE:

1. IF CONTINUOUS SERVICE IS NOT REQUIRED, A SINGLE BACKFLOW PREVENTER MAY BE INSTALLED. AND TEES AND BENDS ELIMINATED.
2. DEVICE DEPENDENT ON DEGREE OF HAZARD.
3. METER BYPASS LINE OPTIONAL. DEPENDENT ON CUSTOMER NEEDS/CONTINUOUS SUPPLY DURING METER REPAIR.
4. SUPPORT TO BE STAINLESS STEEL.
5. CONSULT BSU "BACKFLOW PREVENTION CROSS CONNECTION CONTROL PROGRAM" FOR APPROVED SIZES, MODEL NUMBERS & MANUFACTURERS.
6. "N" STYLE BACKFLOWS REQUIRE A LOCATION FOR AN AIR RELEASE VALVE.

3" OR LARGER COMPOUND METER AND BACKFLOW PREVENTER
(ONLY WITH BSU PRIOR APPROVAL)
BF-2



NOTE:
DEVICE DEPENDENT
ON DEGREE OF HAZARD.

CONTRACTOR'S TEMPORARY HOSE BIBB BACKFLOW PREVENTION DEVICE 3/4", 1", 2"
(INSTALLED BY BUILDER)
BF-5

CONSULTANT'S COMMENTS:

B.S.U. DETAIL SHEETS MUST REMAIN AS IS (NO ALTERATIONS)
IF ADDITIONAL DETAILS ARE REQUIRED SUBMIT ON SEPARATE SHEET

CLIENT: PROJECT:

	TITLE: BACKFLOW DETAILS	SCALE: NOT TO SCALE
	11900 E. TERRY STREET BONITA SPRINGS, FLORIDA 34135 PHONE: (239) 992-0711 FAX: (239) 992-9223	DATE: APRIL 2019
DETAIL BF-4 DELETED		SHEET OF